

MOTOPLASTIC, S.A.

Molí de la sal, 1 - 08403 Granollers (Barcelona) SPAIN

Tel. 34 93 849 06 33 - Fax 34 93 849 09 88

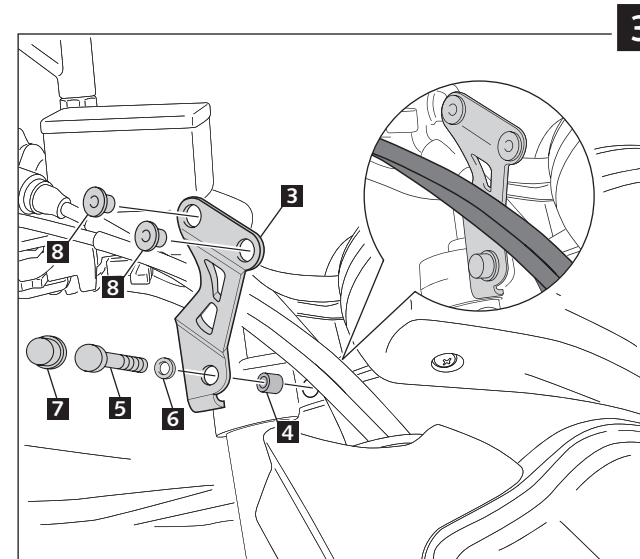
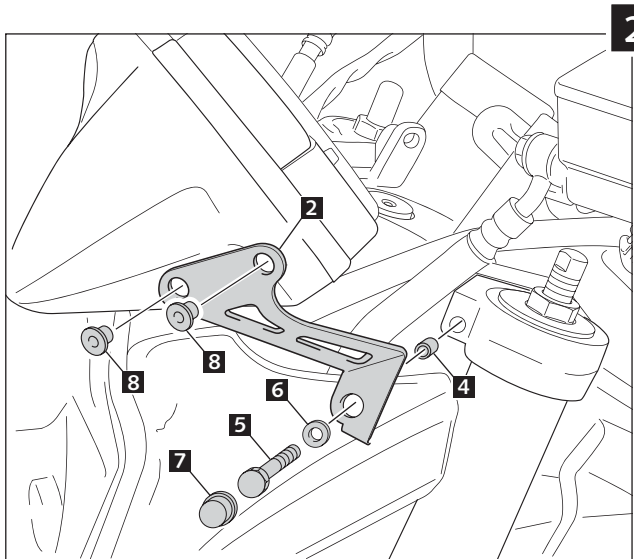
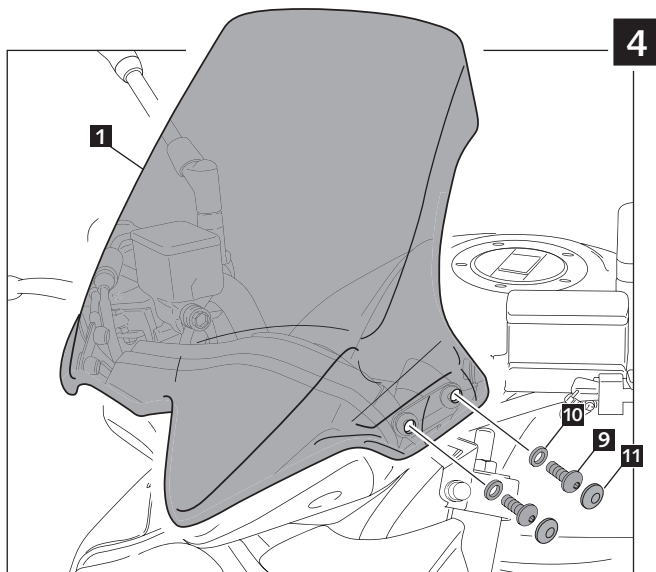
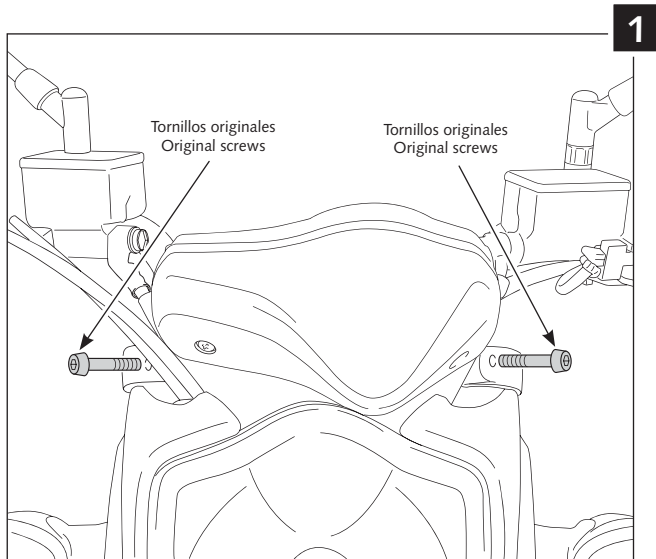
info@puig.tv - infousa@puig.tv

www.puig.tv - www.puigusa.com

INSTRUCCIONES DE MONTAJE - MOUNTING INSTRUCTIONS

CARENABRÍS ADAPTABLE A - WINDSHIELD ADAPTABLE TO
SUZUKI BANDIT
 GSF 650 '09-'11 - GSF 1250 '10-'13

Ref.: 5027



ID.	DESCRIPCIÓN	DESCRIPTION	QTY.
1	Pantalla	Screen	1
2	Soporte metálico izquierdo	Left metal support	1
3	Soporte metálico derecho	Right metal support	1
4	Casquillo Øext. 14x Øint. 8x7.5	Arrowhead Øouter 14x Ø inner. 8x7.5	2
5	Tornillo hexagonal M8x45 DIN 931	M8x45 DIN 931 hexagonal screw	2
6	Arandela M8	M8 washer	2
7	Caperuza plana M8	M8 nut cover	2
8	Silemblock con tuerca M5 (se suministra montado en la pieza nº 2/3)	Silemblock with M5 nut (supplied already mounted on the piece nº 2/3)	4
9	Tornillos Allen M5x16 ISO 7380	M5x16 ISO 7380 Allen screw	4
10	Arandelas nylon Ø5	Ø5 nylon washer	4
11	Tapón tornillo M5 ISO 7380	M5 ISO 7380 Screw cap	4